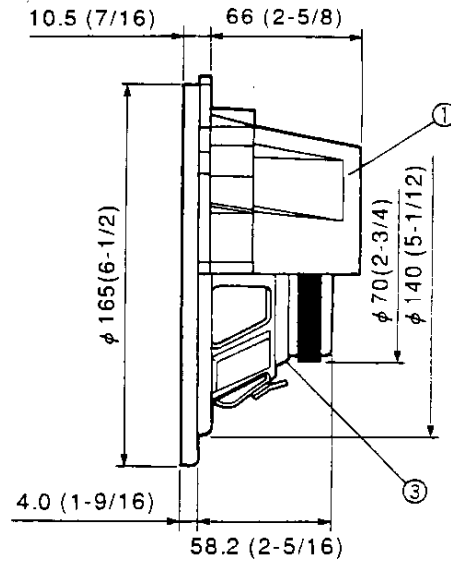
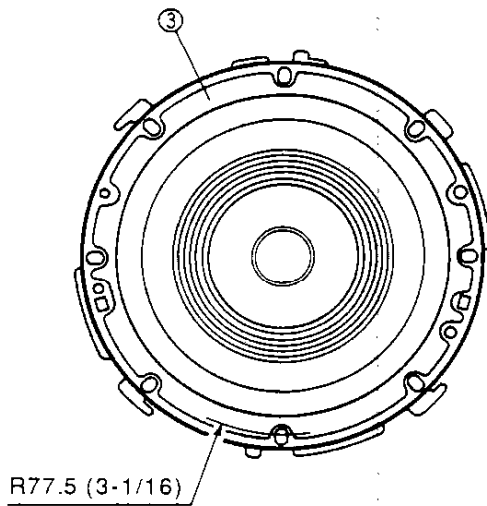


# KFC-176D II SERVICE MANUAL

**KENWOOD**  
**Q.C.**  
**COPY**





© 1992-5 PRINTED IN JAPAN  
B51-6494-00(4)1631

## EXTERNAL VIEW



UNIT: mm (inch)

## PARTS INCLUDED

- ①  ..... x2
- ②   $\phi 4-16$  (3/16-5/8) ..... x16
- ②  ..... x8
- ②  ..... x8

## SPECIFICATIONS

- Speaker ..... 16.5cm (6-1/2 in) dual cone-type  
152 g (5.36 oz) magnet
- Peak power ..... 60 Watts
- Sensitivity ..... 91.5 dB/W at 1m
- Impedance ..... 4 ohms
- Weight per speaker ..... 0.58 kg (1 lb 4 oz)/pc.

(KENWOOD follows a policy of continuous advancements in development. For this reason specifications may be changed without notice.)

## PARTS LIST

★ New parts  
Parts without Parts No. are not supplied.

Ref. No.	New Parts	Parts No.	Description
①		J19-2457-08	BRACKET
②		N99-1070-08	SCREW SET
③	★	T15-0216-08	SPEAKER

## KENWOOD CORPORATION

Shionogi Shibuya Building, 17-5, 2-chome Shibuya, Shibuya-ku, Tokyo 150, Japan

### KENWOOD U.S.A. CORPORATION

2201 East Dominguez Street, Long Beach, CA 90810;  
550 Clark Drive, Mount Olive, NJ 07828, U.S.A.

### KENWOOD ELECTRONICS CANADA INC.

P.O. BOX 1075, 959 Gana Court, Mississauga, Ontario, Canada L4T 4C2

### TRIO-KENWOOD U.K.LIMITED

KENWOOD House, Dwight Road, Watford, Herts., Wd1 8eb United Kingdom

### KENWOOD ELECTRONICS BENELUX N.V

Mechelsesteenweg, 418 B-1930 Zaventem, Belgium

### KENWOOD ELECTRONICS DEUTSCHLAND GMBH

Rembrücker-Str. 15, 6056 Heusenstamm, Germany

### TRIO-KENWOOD FRANCE S.A.

13 Boulevard Ney, 75018 Paris, France

### KENWOOD LINEAR S.p.A.

20125, MILANO-VIA ARBE, 50, ITALY

### KENWOOD ELECTRONICS AUSTRALIA PTY, LTD. (A.C.N.001 499 074)

P.O. BOX 504, 8 Figtree Drive, Australia Centre, Homebush N.S.W. 2140, Australia

### KENWOOD & LEE ELECTRONICS, LTD.

Wang Kee Building, 4th Floor, 34-37, Connaught Road, Central, Hong Kong